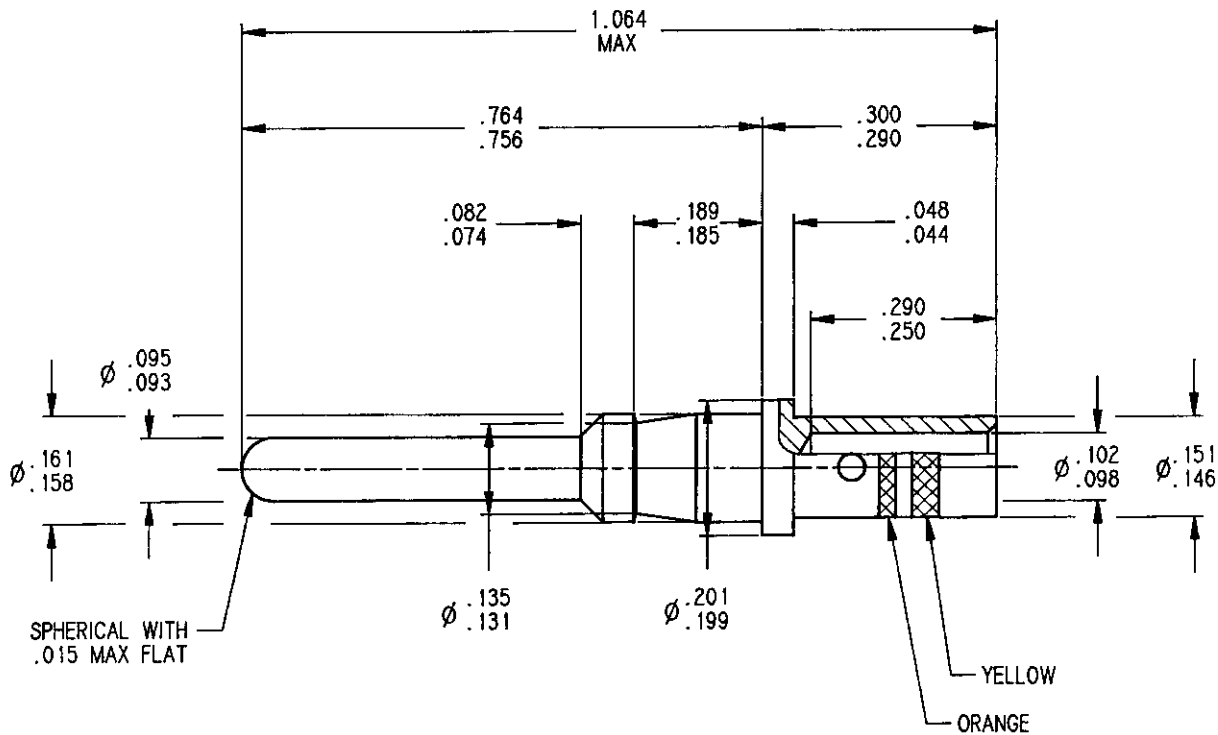


Séries  
BPX

SIZE 12 POWER PIN CONTACT  
BOEING P/N: S280W553\_3

Issue:  
23 DEC.92

Page  
1 / 1



**MATERIAL**

BRASS PER QQ-B-626

**FINISH:**

GOLD PER MIL-G-45204, TYPE II, GRAD C, CLASS 1:50 MICROINCHES OVER NICKEL PLATE PER QQ-N-290, CLASS 2

CRIMPING TOOL: M22520/1-01

TURRET: M22520/1-11

REMOVABLE TOOL: M81969/19-02

STRIP LENGTH: .240

**CREATION**

PEN: .  
EP: .  
Name: L. FALETTI  
Date: 18 OCT.91

23.12.92  
Issue

REDRAWN

Revisions

JP MACARI  
Name

This information is given as an indication in the continual goal to improve our products, we reserve the right to make any modifications judged necessary.

4112\_9212